



## Pumpkin Faire

by Fran Casselman

### Setting:

- #39011 Forty Rustic Clapboard Siding Strips
- #9146 Basswood Strip Wood, 1/4" x 1/16"
- #1083 4 oz. Bottle Of Weather-It
- #92014 The Starting Point Garage Kit
- #12611 12V Red Canopy Light
- #3989 Orange and Rust Roping
- #1410 Large Fall Tree

- #65035 24 Macintosh Apples and Basket
- #67073 2 Dozen Assorted Apples
- #23075 11-Pc. Assorted Gourd Set
- #23522 Six Ears of Corn

- #6758 Macintosh Apples in Bushel Basket
- #36050 Set of Two Pumpkins
- #76077 Hay Bale

### Accessories:

- #11745 Sunflower Trellis
- #7353 Peddler's Push Cart Kit
- #7354 Cart-Top Bracket and Sign Holder Kit
- #7355 Peddler's Cart Sign and Frame
- #7367 Rod Handle Tote Box Kit
- #7368 Tote Box Kit with Side Handles
- #7359 Small Crate Kit
- #7369 Crate Support Kit
- #2003 1/24 Scale Eight Small Hay Bales
- #29814 Pair of Ceramic Wine Jugs
- #43163 "Come in for a Bite!" Sign
- #42117 "Whooo Goes There" Plaque
- #65701 Old-Fashioned Lantern
- #69026 Two Empty Bushel Baskets





#43100	2 Large Jack-O'-Lanterns	#22508	Set of 7 Carved Pumpkins	#35053	Blue and White Heart Platter
#7373	3" Wagon Wheel	#52160	Tiered Half-Moon Bench	#75980	Old-Fashioned Popcorn Machine
#7374	3 1/2" Wagon Wheel	#71051	Rectangular Brass Display Stand	#22988	Donkey
#8619	Heavy-Duty Wheelbarrow	#17219	Huntington Garden Shelf	#3033	Kyle Doll
#39999	12 Paper Maché Pumpkins	#71054	Domed Brass Display Stand	#3076	Felicia Doll
#67085	Sets of 3 Dark Assorted Gourds	#62157	Oyster Vase with a Narrow Neck	#3074	Jennifer Doll
#67086	Sets of 3 Light Assorted Gourds	#1599	3-Pc. Antique Mixing Bowl Set	#3077	Bradley Doll
#61061	Three Green Gourds	#66901	2-Pc. Olive Jar Set	#3075	Amber Doll
#64005	Unfinished Picnic Table With Attached Benches	#88171	Royal Blue Swirl Vase	#3036	Phyllis Doll
#43196	"Pumpkin Patch" Sign	#62237	Golden/Green "Earthenware" Vase	#43034	Ted Doll
#18570	Wine/Whiskey Barrel	#62478	Pair of "Earthenware" Urns	#43018	Chase Doll
#65070	Six Pumpkins/Gourds and Basket	#88148	Blue and White Serving Bowl	#3078	Christopher Doll
#34136	Large Wooden Scarecrow	#35056	Green Shallow Vase/Bowl	#43021	Joy Doll
#7360	Large Crate Kit	#62238	Golden/Green "Earthenware" Bud Vase	#3027	Dot Doll
#52137	Rain Barrel			#30811	Timothy Doll
				#30803	Carol Doll

### Crafty Extras:

- Popcorn is made from low quality pelleted packaging foam that has a "soft" feel and breaks easily. Chip away individual pellets for popped corn kernels; when you have the quantity you want, put a few drops of slightly diluted off-white craft paint in a disposable cup and add the pellets. Stir with a bamboo skewer until all kernels are coated. On a protected work surface, pour out onto paper towel and spread the kernels apart to dry. Stir occasionally. The paint adds color but also a bit of weight, so the particles don't fly away as readily and are less receptive to static electricity.
- Ground cover is Coco Soft fine chip reptile bedding, purchased at a pet supply store. It resembles pine straw, which is widely used here in the South.

- "Driveway" at far left is full-size asphalt roof shingle.
- "Traces" for donkey harness are painted strip wood glued to underside of cart.
- Cornstalks made from raffia, twine and bamboo skewer.
- Donkey harness made from 1/8" and 3/16" grosgrain ribbon, loosely wrapped around Donkey and secured to itself — not Donkey — with gel-formula super glue. #60903 clamps are helpful here while glue sets. "Rivets" are silver nail polish, applied with a toothpick.
- Weathered Board Fence (see instructions)
- Popcorn cups (see instructions)
- Craft booth canopy (see instructions)
- Tablecloth (see printie)

# Weathered Board Fence

by Frab Casselman

## Supplies Needed:

- #39011 Rustic Clapboard Siding Strips
- #9146 Basswood Strip Wood, 1/4" x 1/16" \*
- #1083 Weather-It
- Pencil
- Ruler
- Utility scissors
- Soft paintbrush (not too small, not foam)
- Non-metal dish or bowl
- Paper towels
- Books or other weights
- Graph paper or other square grid
- Masking tape
- White glue
- Nail clipper (optional)



*Process is somewhat messy; protect work area.*

With utility scissors, cut siding strips to desired length for height of fence, 8" used in scene. Try to cut uniform lengths with square ends. Strips are approximately 1" wide; cut enough for desired length of fence plus a few extra. If your fence needs to be more than 12" or so long, try making it in sections. Cut two pieces of strip wood the length of each section of fence.\*

Shake Weather-It well (not mentioned in product directions but helpful) and pour some into bowl. Paint both sides of each siding strip and strip wood piece with solution but don't soak strips. Aged appearance will begin immediately and darken as strips dry. Lay damp strips between layers of paper towel or other absorbent material and weight so strips dry flat. Allow to dry thoroughly. Clean hands, brush and bowl with soap and water; any staining to skin will be temporary.

Using graph paper or another grid (such as a cutting mat) set up a right-angle "jig" to assemble the fence. (Tape strip wood pieces or similar to the cutting mat or graph paper to align the bottom

and left side.) Put two lengths of masking tape, sticky side up, the length of the fence section (hold them in place with more tape at the ends). Starting in the square corner, stick fence boards to the tape, keeping the boards as straight as possible. The board edges will not meet perfectly, which provides a very realistic look.

When all the boards for a section are stuck down, draw lines 1 1/2" down from the top and 2" up from the bottom across all boards. Glue the strip wood pieces at the top of the lines and weight until dry. Fence section complete! Repeat for other sections.

For the dog-eared look used in the scene, draw a guide line 1/4" down from the top on the back of the section and use nail clippers to evenly cut the corners off of each board. Tip: clip one corner of every board and flip the section over to do the second corners.

\* For more strength, glue additional strip wood pieces to the back of the fence section. My fence did not require posts but if you need them, #17529, 3/8" x 1/2" Strip Wood, should work well.

# Ernie's Kernel Popcorn Cups Printie

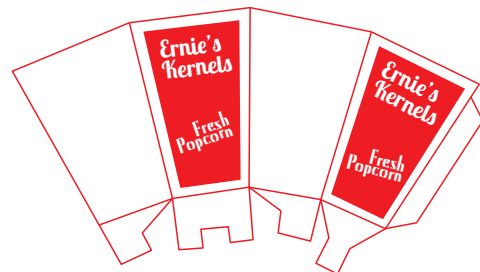
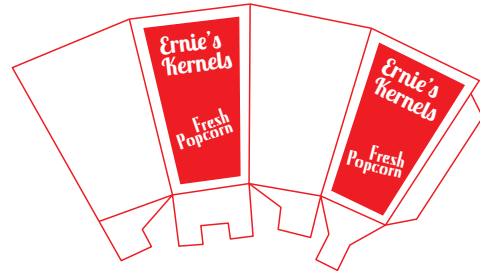
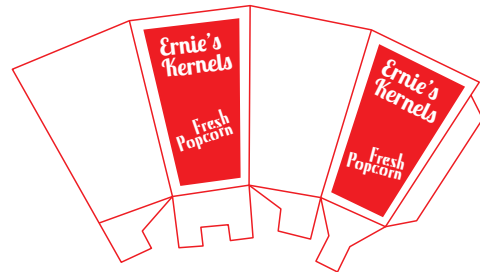
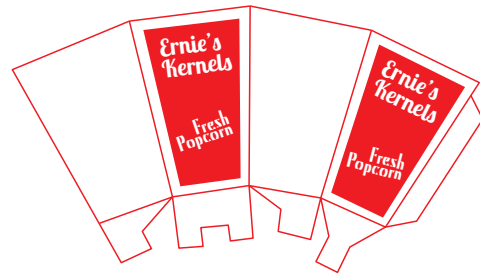
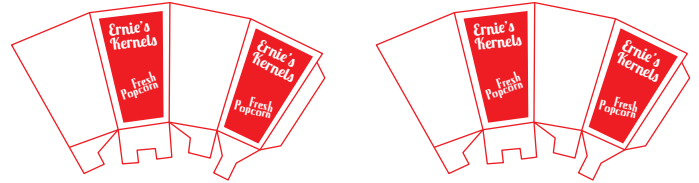
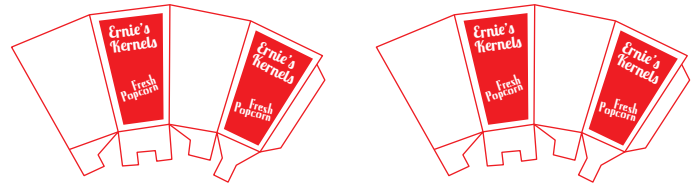
## Popcorn

Popcorn is made from low quality pelleted packaging foam that has a "soft" feel and breaks easily. Chip away individual pellets for popped corn kernels; when you have the quantity you want, put a few drops of slightly diluted off-white craft paint in a disposable cup and add the pellets. Stir with a bamboo skewer until all kernels are coated. On a protected work surface, pour out onto paper towel and spread the kernels apart to dry. Stir occasionally. The paint adds color but also a bit of weight, so the particles don't fly away as readily and are less receptive to static electricity.

## Popcorn Cups

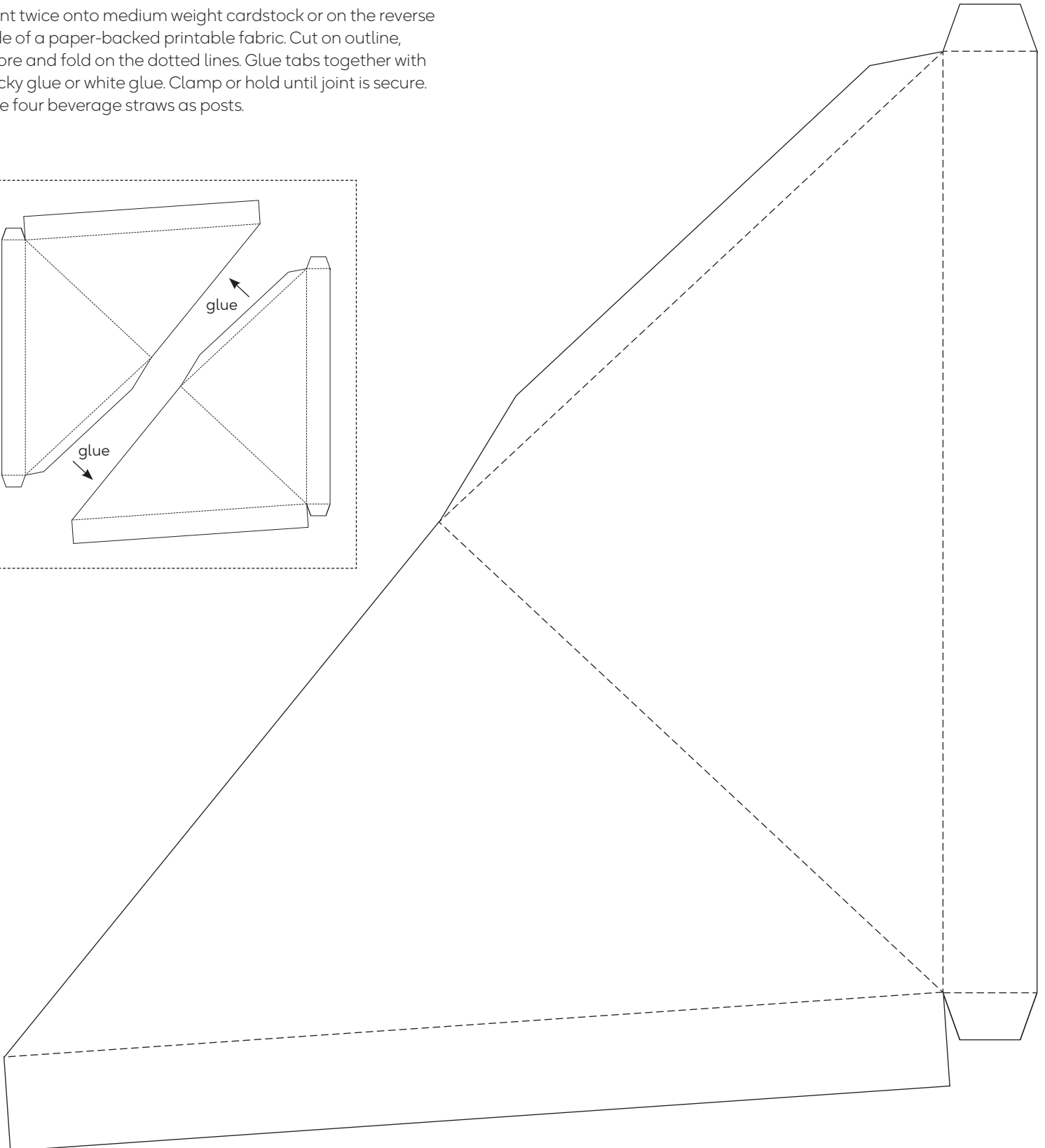
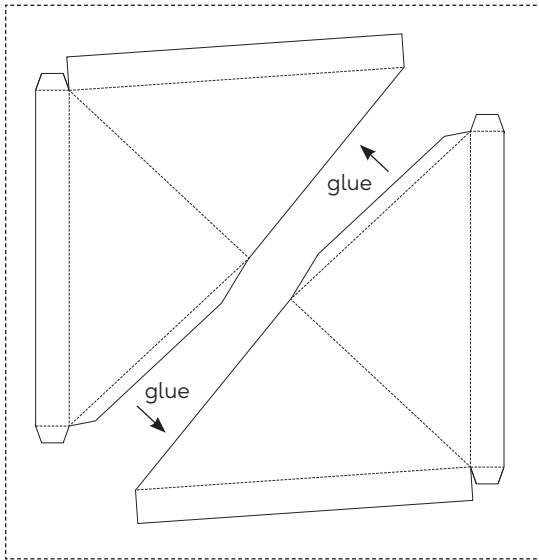
Before cutting, use a ruler and fine ball stylus (or completely dried-out ballpoint pen) to score the fold lines on the printout. Cut with a knife and cutting mat (preferred) or small sharp scissors. Use white/tacky glue with a toothpick applicator to glue the long tab that connects the sides. When that join is secure, fold the bottom flaps in this order: largest, squarish flap, both side/angular flaps, then tabbed flap, which tucks into the slot formed by the other flaps. Straighten the cup, and add a bit of glue on the bottom to seal the flaps.

Fill the cups completely with popcorn, dribbling in a "layer" of glue just beneath the top kernels. Or, for more stable cups, fill the bottom with a blob of hot glue, which adds weight. When that cools, fill the remainder of the cup as above.



# Craft Booth Canopy Printie

Print twice onto medium weight cardstock or on the reverse side of a paper-backed printable fabric. Cut on outline, score and fold on the dotted lines. Glue tabs together with tacky glue or white glue. Clamp or hold until joint is secure. Use four beverage straws as posts.



# Checkered Tablecloth Printie

The images are 1", 1/2", and 1/4" Scale, which could be used as a napkin in 1" Scale.

